



50N06

MOSFET

**50 Amps, 60 Volts
N-CHANNEL POWER MOSFET**

■ DESCRIPTION

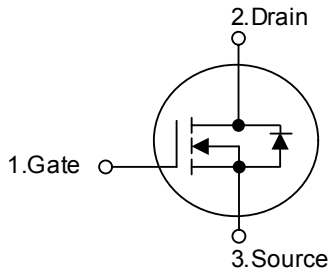
The UTC **50N06** is three-terminal silicon device with current conduction capability of about 50A, fast switching speed. Low on-state resistance, breakdown voltage rating of 60V, and max threshold voltages of 4 volt.

It is mainly suitable electronic ballast, and low power switching mode power appliances.

■ FEATURES

- * $R_{DS(ON)} = 23m\Omega @ V_{GS} = 10V$
- * Ultra low gate charge (typical 30 nC)
- * Low reverse transfer Capacitance ($C_{RSS} =$ typical 80 pF)
- * Fast switching capability
- * 100% avalanche energy specified
- * Improved dv/dt capability

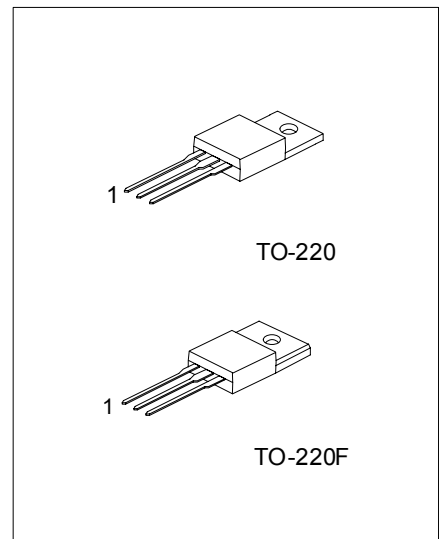
■ SYMBOL



■ ORDERING INFORMATION

Order Number		Package	Pin Assignment			Packing
Normal	Lead Free Plating		1	2	3	
50N06-TA3-T	50N06L-x-TA3-T	TO-220	G	D	S	Tube
50N06-TF3-T	50N06L-x-TF3-T	TO-220F	G	D	S	Tube

<p>50N06L-TA3-T</p> <p>(1)Packing Type (2)Package Type (3)Lead Plating</p>	<p>(1) T: Tube (2) TA3: TO-220, TF3: TO-220F (3) L: Lead Free Plating Blank: Pb/Sn</p>
--	--



*Pb-free plating product number: 50N06L

■ ABSOLUTE MAXIMUM RATINGS

PARAMETER	SYMBOL	RATINGS	UNIT
Drain-Source Voltage	V_{DSS}	60	V
Gate to Source Voltage	V_{GSS}	± 20	V
Continuous Drain Current	I_D	$T_C = 25$	A
		$T_C = 100$	A
Drain Current Pulsed (Note 1)	I_{DM}	200	A
Single Pulsed Avalanche Energy (Note 2)	E_{AS}	480	mJ
Repetitive Avalanche Energy (Note 1)	E_{AR}	13	mJ
Peak Diode Recovery dv/dt (Note 3)	dv/dt	7	V/ns
Total Power Dissipation ($T_C = 25$)	P_D	130	W
Derating Factor above 25		0.9	W/
Operation Junction Temperature	T_J	-55 ~ +150	
Storage Temperature	T_{STG}	-55 ~ +150	

Note: Absolute maximum ratings are those values beyond which the device could be permanently damaged.

Absolute maximum ratings are stress ratings only and functional device operation is not implied.

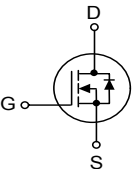
■ THERMAL DATA

PARAMETER	SYMBOL	MIN	TYP	MAX	UNIT
Thermal Resistance, Junction-to-Case	θ_{JC}			1.15	$^{\circ}\text{C/W}$
Thermal Resistance, Case-to-Sink	θ_{CS}		0.5		$^{\circ}\text{C/W}$
Thermal Resistance, Junction-to-Ambient	θ_{JA}			62.5	$^{\circ}\text{C/W}$

■ ELECTRICAL CHARACTERISTICS $T_C = 25$ unless otherwise specified

PARAMETER	SYMBOL	TEST CONDITIONS	MIN	TYP	MAX	UNIT
Off Characteristics						
Drain-Source Breakdown Voltage	BV_{DSS}	$V_{GS} = 0\text{ V}, I_D = 250\ \mu\text{A}$	60			V
Breakdown Voltage Temperature Coefficient	BV_{DSS}/T_J	$I_D = 250\ \mu\text{A}$, Referenced to 25		0.07		V/
Drain-Source Leakage Current	I_{DSS}	$V_{DS} = 60\text{ V}, V_{GS} = 0\text{ V}$			1	μA
		$V_{DS} = 48\text{ V}, T_C = 125$				μA
Gate-Source Leakage Current	I_{GSS}	$V_{GS} = 20\text{ V}, V_{DS} = 0\text{ V}$			100	nA
Gate-Source Leakage Reverse		$V_{GS} = -20\text{ V}, V_{DS} = 0\text{ V}$			-100	nA
On Characteristics						
Gate Threshold Voltage	$V_{GS(TH)}$	$V_{DS} = V_{GS}, I_D = 250\ \mu\text{A}$	2.0		4.0	V
Static Drain-Source On-State Resistance	$R_{DS(ON)}$	$V_{GS} = 10\text{ V}, I_D = 25\text{ A}$		18	23	m Ω
Dynamic Characteristics						
Input Capacitance	C_{ISS}	$V_{GS} = 0\text{ V}, V_{DS} = 25\text{ V}$ $f = 1\text{ MHz}$		900	1220	pF
Output Capacitance	C_{OSS}		430	550	pF	
Reverse Transfer Capacitance	C_{RSS}		80	100	pF	
Dynamic Characteristics						
Turn-On Delay Time	$t_{D(ON)}$	$V_{DD} = 30\text{ V}, I_D = 25\text{ A}$, $R_G = 50\ \Omega$ (Note 4, 5)		40	60	ns
Rise Time	t_R		100	200	ns	
Turn-Off Delay Time	$t_{D(OFF)}$		90	180	ns	
Fall Time	t_F		80	160	ns	
Total Gate Charge	Q_G		$V_{DS} = 48\text{ V}, V_{GS} = 10\text{ V}$ $I_D = 50\text{ A}$, (Note 4, 5)		30	40
Gate-Source Charge	Q_{GS}	9.6			nC	
Gate-Drain Charge (Miller Charge)	Q_{GD}	10			nC	

■ ELECTRICAL CHARACTERISTICS(Cont.)

PARAMETER	SYMBOL	TEST CONDITIONS	MIN	TYP	MAX	UNIT
Source-Drain Diode Ratings and Characteristics						
Diode Forward Voltage	V_{SD}	$I_S = 50A, V_{GS} = 0V$			1.5	V
Continuous Source Current	I_S	Integral Reverse p-n Junction Diode in the MOSFET 			50	A
Pulsed Source Current	I_{SM}				200	
Reverse Recovery Time	t_{RR}	$I_S = 50A, V_{GS} = 0V$		54		ns
Reverse Recovery Charge	Q_{RR}	$di_F / dt = 100 A/\mu s$		81		μC

- Note 1. Repeativity rating: pulse width limited by junction temperature
 2. $L=5.6mH, I_{AS}=50A, V_{DD}=25V, R_G=0\Omega$, Starting $T_J=25$
 3. $I_{SD}\leq 50A, di/dt\leq 300A/\mu s, V_{DD}\leq BV_{DSS}$, Starting $T_J=25$
 4. Pulse Test: Pulse Width $\leq 300\mu s$, Duty Cycle $\leq 2\%$
 5. Essentially independent of operating temperature.

■ TEST CIRCUITS AND WAVEFORMS

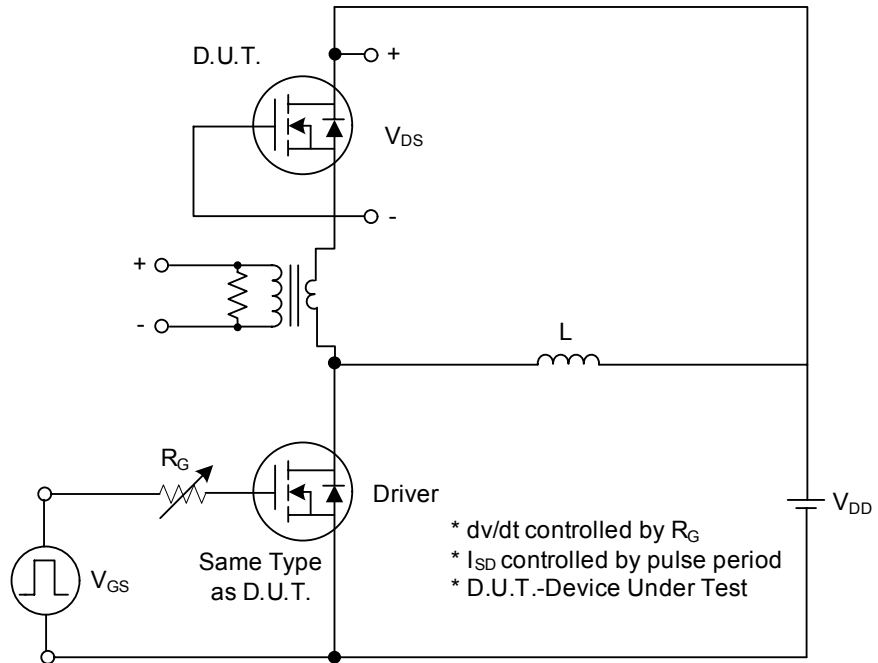


Fig. 1A Peak Diode Recovery dv/dt Test Circuit

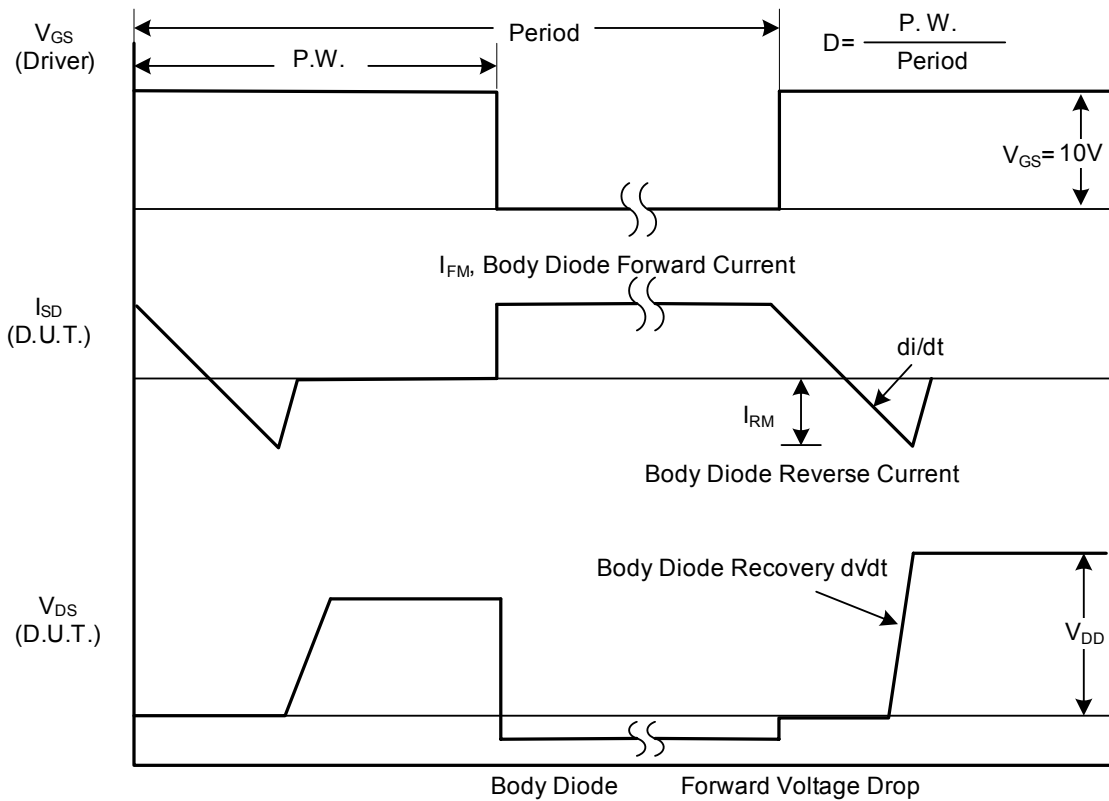


Fig. 1B Peak Diode Recovery dv/dt Waveforms

■ TEST CIRCUITS AND WAVEFORMS (Cont.)

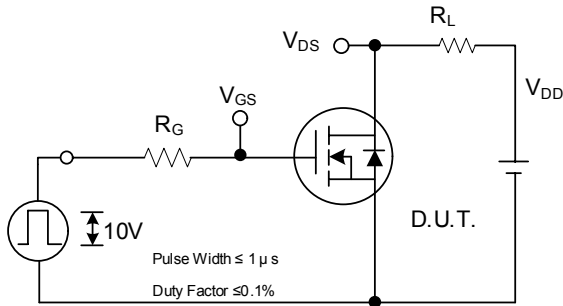


Fig. 2A Switching Test Circuit

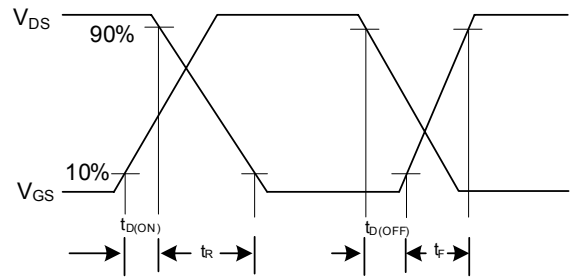


Fig. 2B Switching Waveforms

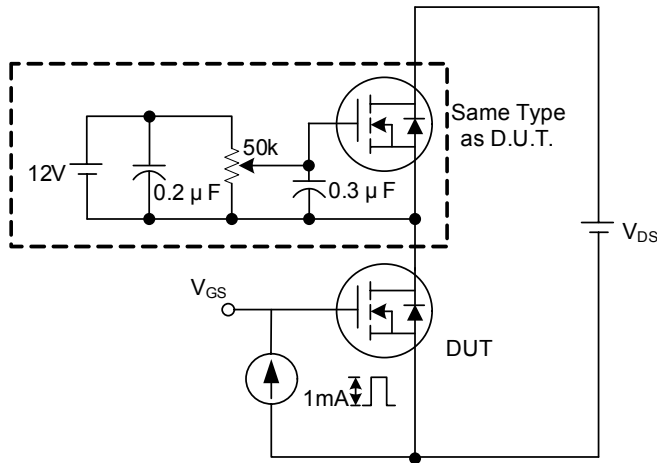


Fig. 3A Gate Charge Test Circuit

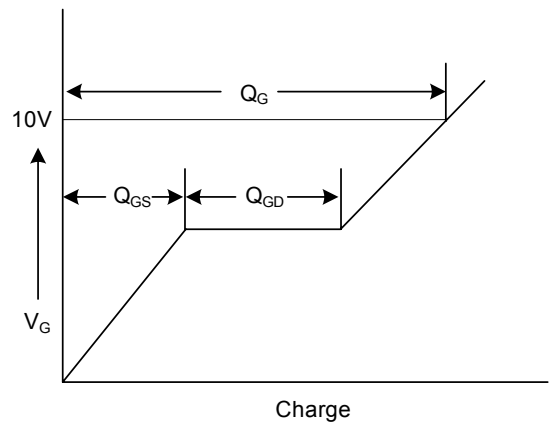


Fig. 3B Gate Charge Waveform

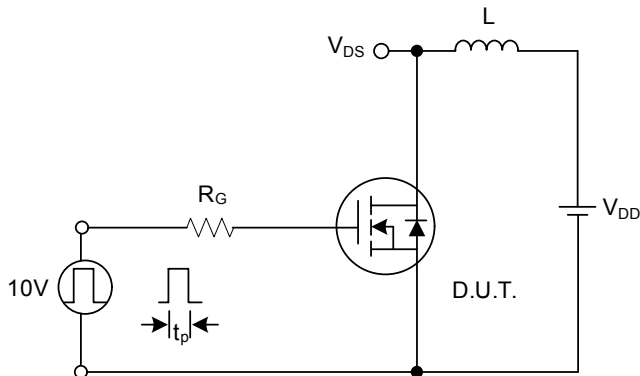


Fig. 4A Unclamped Inductive Switching Test Circuit

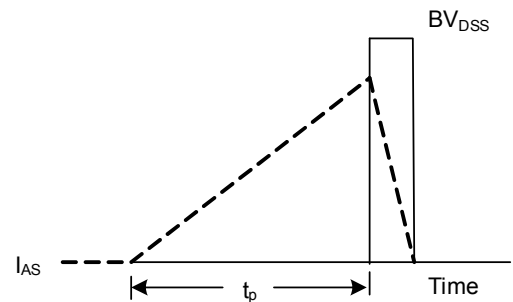
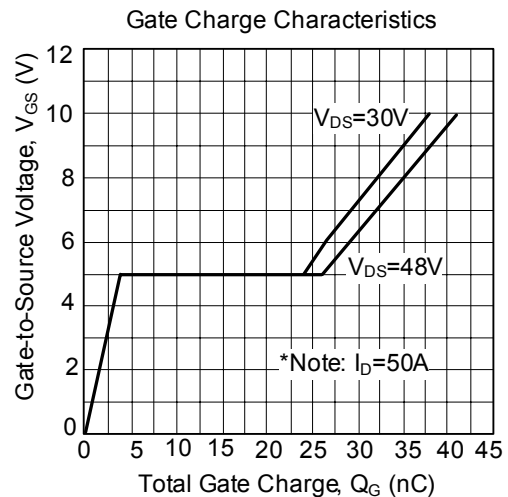
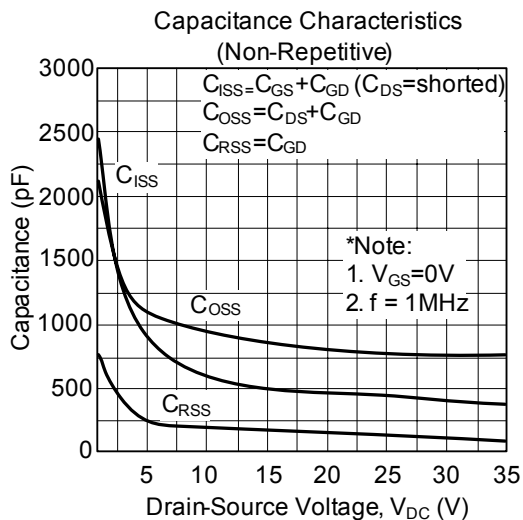
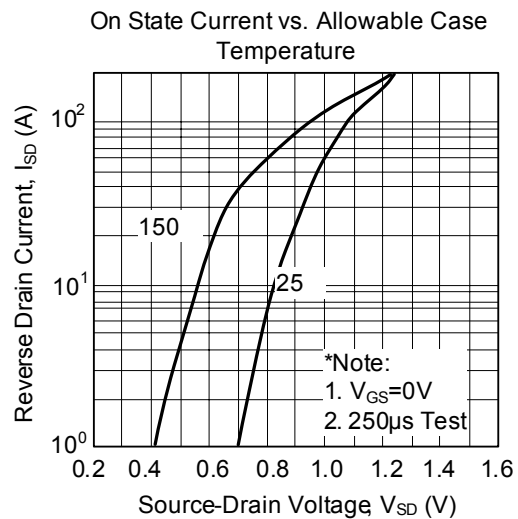
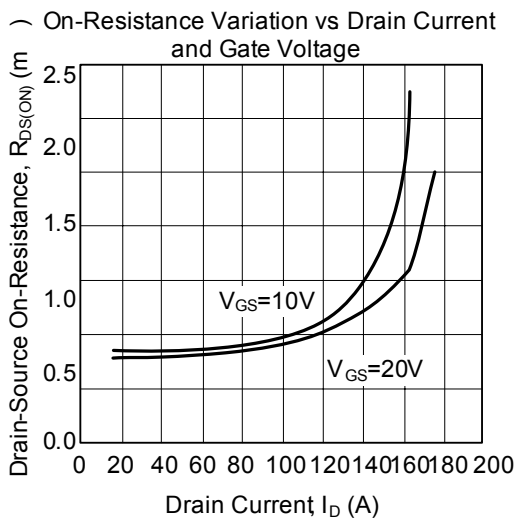
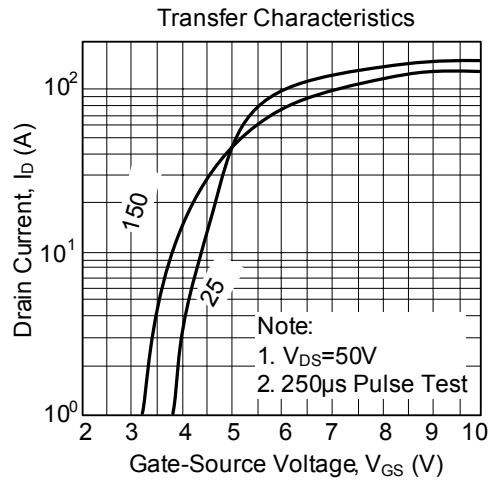
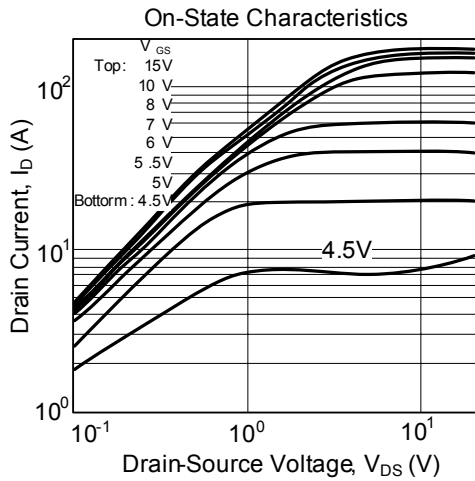
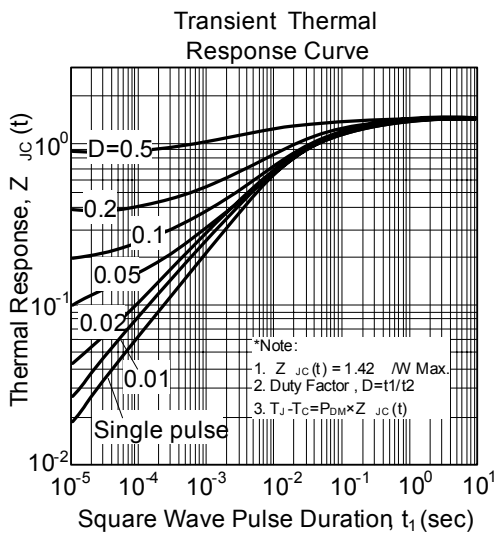
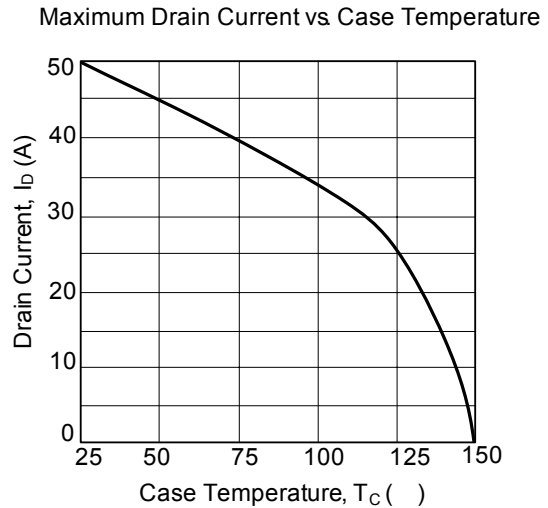
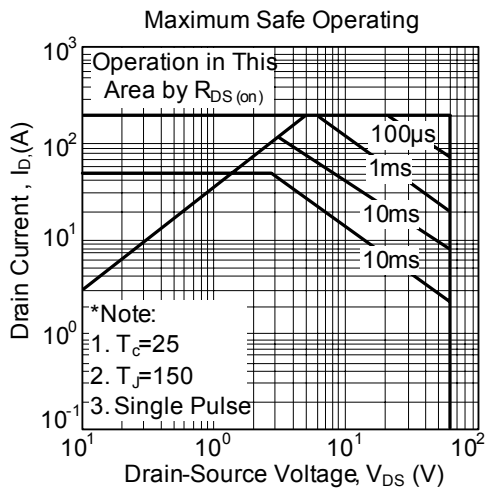
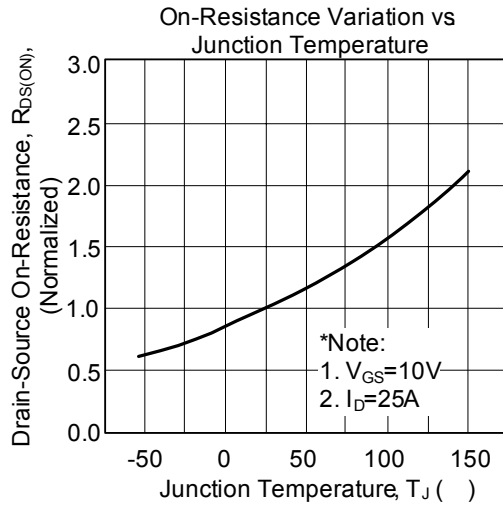
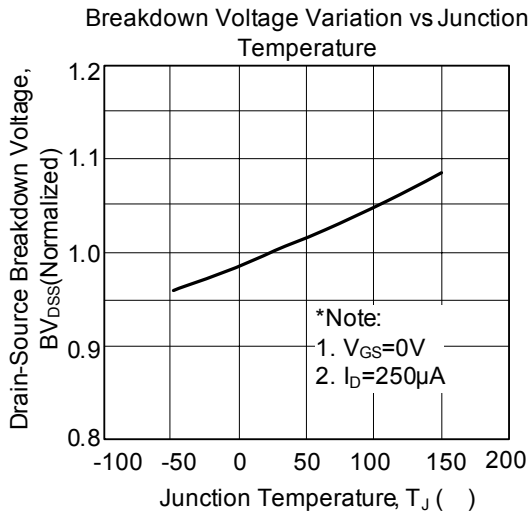


Fig. 4B Unclamped Inductive Switching Waveforms

■ TYPICAL CHARACTERISTICS



■ TYPICAL CHARACTERISTICS(Cont.)



UTC assumes no responsibility for equipment failures that result from using products at values that exceed, even momentarily, rated values (such as maximum ratings, operating condition ranges, or other parameters) listed in products specifications of any and all UTC products described or contained herein. UTC products are not designed for use in life support appliances, devices or systems where malfunction of these products can be reasonably expected to result in personal injury. Reproduction in whole or in part is prohibited without the prior written consent of the copyright owner. The information presented in this document does not form part of any quotation or contract, is believed to be accurate and reliable and may be changed without notice.